

2014 - 2019 Corvette: GM TechLink: Warble Sound from Rear of Vehicle

Warble Sound from Rear of Vehicle

July 30, 2020
GM TechLink

Some 2014 - 2019 Corvette models equipped with the 6.2L V8 engine (RPO LT1) and 8L90 automatic transmission (RPO M5U) may have a warble-type sound coming from the rear of the vehicle with engine speed around 1,500 rpm. The sound may be more noticeable when driving up a slight grade with little throttle input.

The warble sound may be due to the bushing in the left-side differential cover having too much clearance. If the condition is found, replace the left-side differential cover and shaft seal. (Fig. 24)

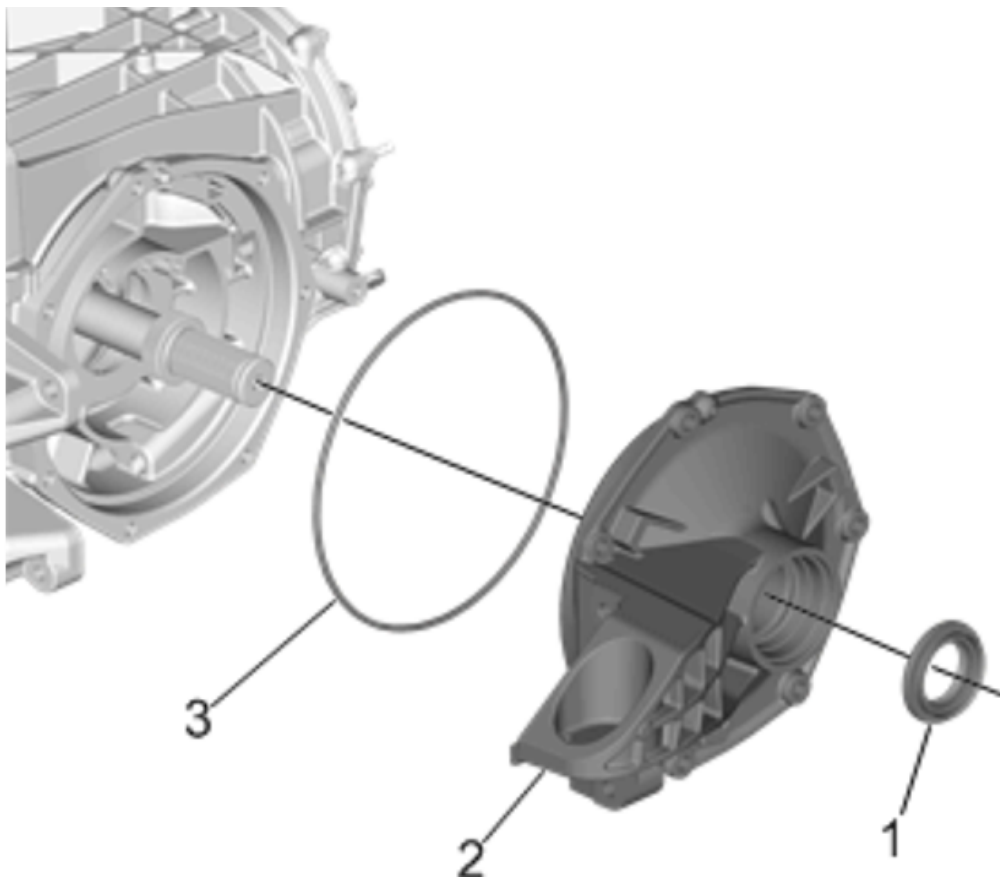


Fig. 24

Use the DT-45000 Seal Remover to remove the differential rear axle shaft seal and the DT-48076 Rock Guard Installer to install the seal.

Refer to Bulletin #20-NA-041 for additional information and part numbers.

– Thanks to Jeff Strausser

Online URL: <https://www.corvetteactioncenter.com/tech/knowledgebase/article.php?id=1435>