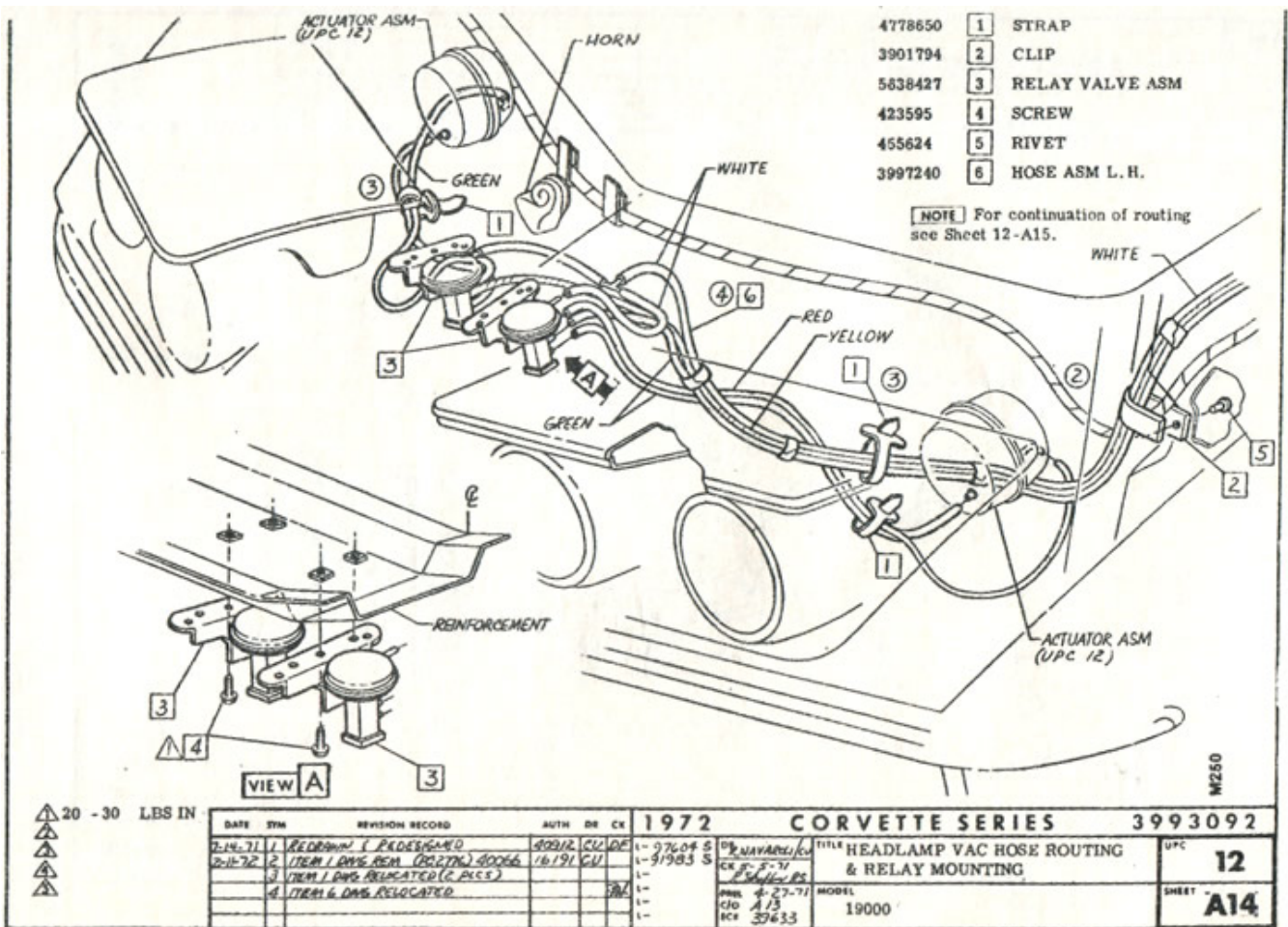


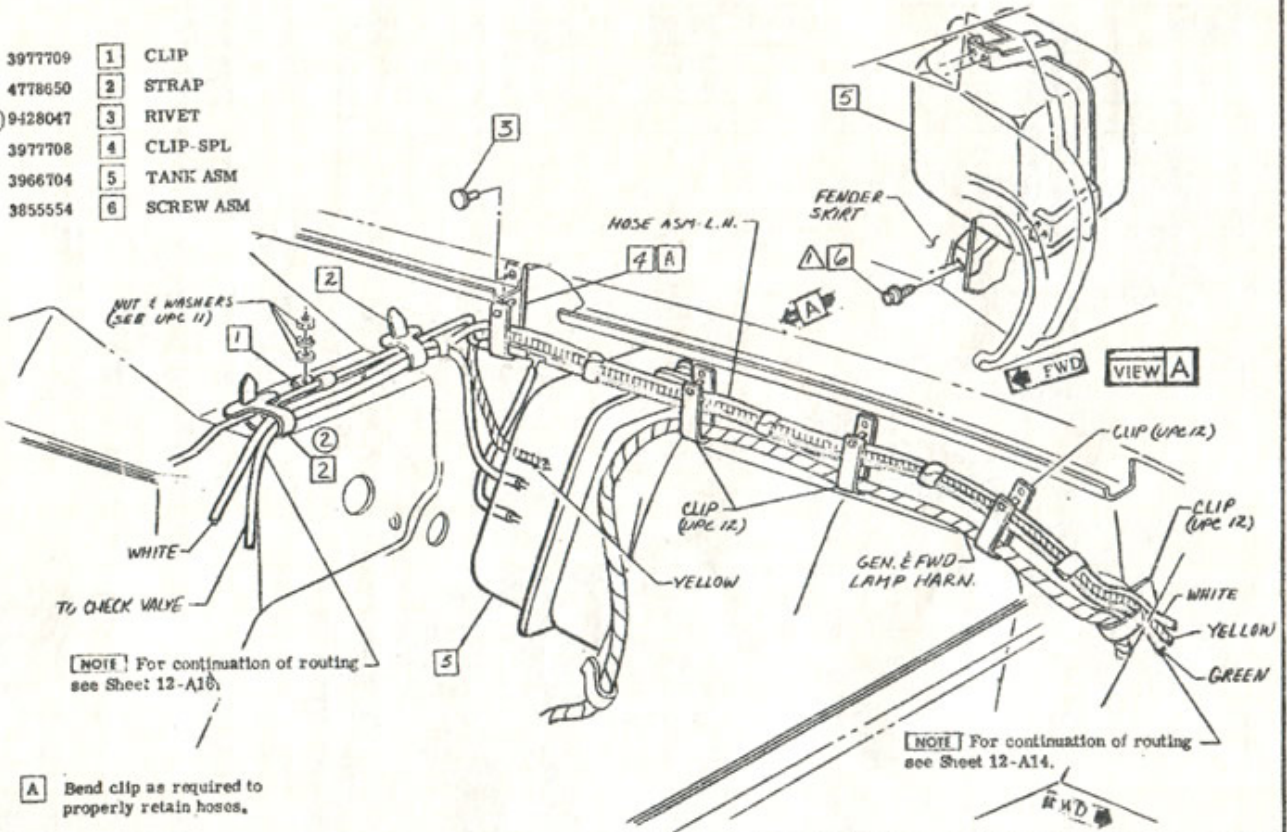
# 1972 Corvette: Headlight and Vacuum Line Component Schematic

Below is the 1972 Corvette headlight and vacuum line component schematics from the 1972 Corvette Assembly Manual:



The schematic below shows the position of the headlight vacuum hose along the driver's side inner fender well:

- 3977709 1 CLIP
- 4778650 2 STRAP
- 9428047 3 RIVET
- 3977708 4 CLIP-SPL
- 3966704 5 TANK ASM
- 3855554 6 SCREW ASM



A Bend clip as required to properly retain hoses.

75 - 95 LBS IN  
 10051

DATE		REVISED	BY	REVISION RECORD	AUTH	DR	CR	1972	CORVETTE SERIES	3993092
10-11-71	1	WAS 32251-B R1287	ALB					1-95812 5	HEADLAMP & W/S/W VAC HOSE ROUTING & VAC TANK MTG	12
6-11-72	2	ITEM 2 HAS 410A BOLTED	ALB					1-97609 5		A15
									19000	

