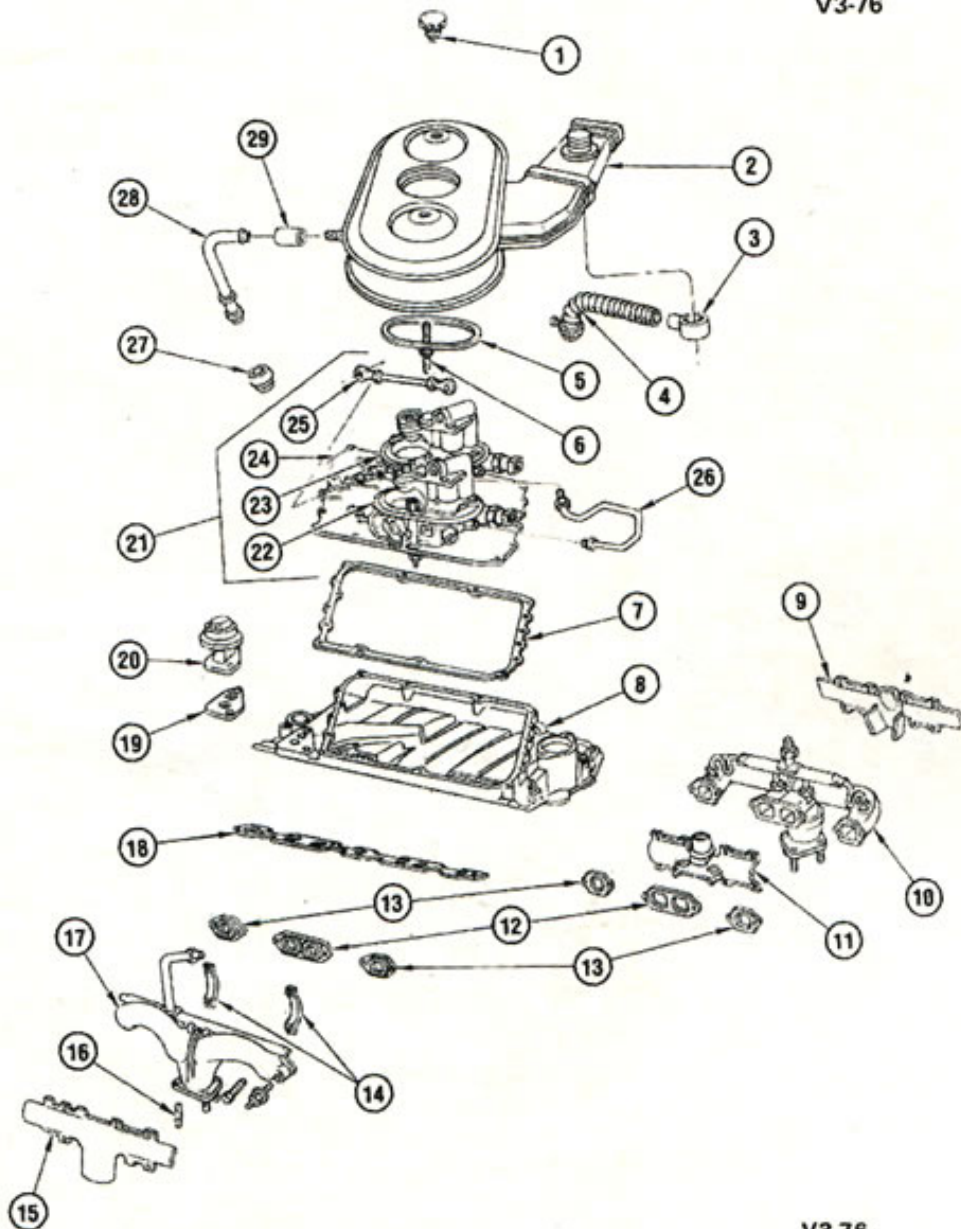


1982 Corvette: Exploded Views of 1982 Cross-Fire Injection Unit with Part Numbers

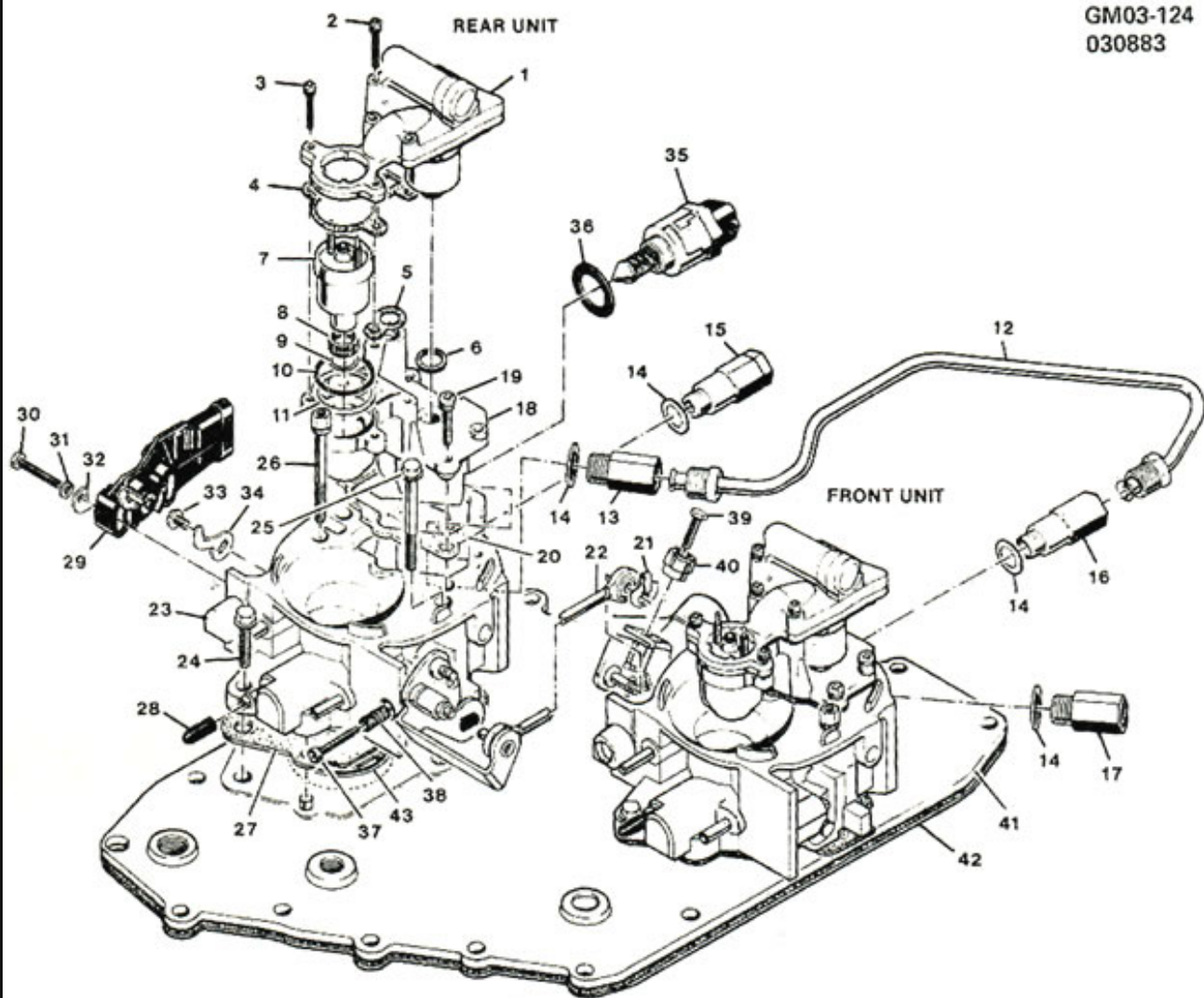
Below are exploded views of a complete 1982 Corvette Cross-Fire Injection Unit with part numbers:



1982 "Y" T.B.I. ASSEMBLY & AIR CLEANER

1.	3.403	NUT, A/Clnr	14067309	18.	3.270	GASKET KIT, Int Manif (Incls LH & RH)	14034932
2.	3.402	CLEANER, Carb Air	25040866	19.	3.680	GASKET, EGR Vlv	14031369
3.	3.417	ELBOW, Carb Air Ht Stove	372586	20.	3.670	VALVE, EGR (Includes #19)	17078423
4.	3.417	PIPE, Htr Air	1260631	21.	3.725	THROTTLE BODY UNIT, Complete (Incls #22 thru 26)	17078834
5.	3.403	SEAL, A/Clnr	14037770	22.	3.725	THROTTLE BODY ASM, Frt (Slave Unit) (*1)	17079738
6.	3.403	STUD, A/Clnr	14037769	23.	3.725	THROTTLE BODY ASM, Rear (Master Unit) (*1)	17079736
7.	3.726	GASKET, Throttle Body Inj	14044605	24.	3.726	COVER KIT, Manif Inlet	17079728
8.	3.265	MANIFOLD, Int	14044606	25.	N.S.	ROD KIT, W/Bearing, Throttle	
9.	3.417	STOVE, Eng Air Ht Otr	14045843	26.	3.163	TUBE KIT, Fuel	17072588
10.	3.601	MANIFOLD, Exh-LH	14037671	27.	1.745	GROMMET, C/Case Vent-RH	3989348
11.	3.417	STOVE, Eng Air Ht Inr	14045844		1.745	GROMMET, C/Case Vent-LH	3989349
12.	3.602	GASKET, Exh Manif Ctr	14004091	28.	1.762	TUBE, C/Case Vent	14045840
13.	3.602	GASKET, Exh Manif	14004090	29.	8.962	HOSE, Fuel-Oil Evap (Bulk 3/4" ID)	
14.	3.602	STRAP, Exh Manif Ht Shld	14023182				
15.	3.602	SHIELD, Exh Manif Ht	14045850				
16.	3.613	STUD, C/Ovr Pipe to Manif	483543				
17.	3.601	MANIFOLD, Exh-RH	14037672				

NOTE 1: For information on components see, Throttle Body Injection Unit illustration.



GM03-124

1982 "Y" THROTTLE BODY INJECTION UNITS (TBI)

1.	METER ASM, Fuel (Incl Fuel Nuts)(Frnt)(*13)	N.S.
	METER ASM, Fuel (Incl Fuel Nuts)(Rr)(*14)	N.S.
	COVER & PRESSURE REGULATOR, Fuel Meter (Rr)(*18)	N.S.
	COVER & ACCUMULATOR, Fuel Meter (Frnt)(*17)	N.S.
2.	SCREW ASM, Fuel Meter (Long)(*9)	N.S.
3.	SCREW ASM, Fuel Meter (Short)(*9)	N.S.
4.	GASKET, Fuel Meter Cover (*4,5,15,16,17,18,19,20)	N.S.
5.	GASKET, Fuel Meter Outlet (*4,5,15,16,17,18,19,20)	N.S.
6.	SEAL, Press Reg Dust (Rr)(*4,5,15,16)	N.S.
7.	INJECTOR, Fuel (Frnt)(*19)	N.S.
	INJECTOR, Fuel (Rr)(*20)	N.S.
8.	FILTER, Fuel Injector (*5,15,16)	N.S.
9.	SEAL, Injector "O" Ring-Small (*4,5,15,16,19,20)	N.S.
10.	SEAL, Injector "O" Ring-Large (*4,5,15,16,19,20)	N.S.
11.	WASHER, Fuel Injector Back Up (*4,5,15,16,19,20)	N.S.
12.	TUBE ASM, Fuel (*7)	N.S.
13.	NUT, Fuel Inlet (Rr)(*22)	N.S.
14.	GASKET, Fuel Nut (2 Req)(*4,5,15,16,21,22)	N.S.
15.	NUT, Fuel Return (Rr)(*22)	N.S.
16.	NUT, Fuel Return (Frnt)(*21)	N.S.
17.	NUT, Fuel Inlet (Frnt)(*21)	N.S.
18.	BODY ASM, Fuel Meter (Frnt)(*15)	N.S.
	BODY ASM, Fuel Meter (Rr)(*16)	N.S.

1982 "Y" THROTTLE BODY INJECTION UNITS (TBI)

19.	SCREW ASM, Body Attach (3 Req)(*9)	N.S.
20.	GASKET, Fuel Meter Body (*4,13,14)	N.S.
21.	CLIP, Throttle Rod Ret (Frt)(*2,3,4,6,8,9,23,24)	N.S.
22.	ROD, W/Bearing, Throttle	N.S.
23.	BODY ASM, Throttle (Frt)(*23)	N.S.
	BODY & ROD ASM, Throttle Body (Rr)(*24)	N.S.
24.	BOLT, TBI Attach-Short (*10)	N.S.
25.	BOLT, TBI Attach-Long (*10)	N.S.
26.	STUD, TBI & Air Cleaner Attach (*10)	N.S.
27.	GASKET, TBI Mounting (*2,3,4)	N.S.
28.	CAP, Tube (*4)	N.S.
29.	SENSOR, Throttle Position (TPS)(Rr)(*11)	N.S.
30.	SCREW, TPS Attach (2)(Rr)(*9,11)	N.S.
31.	WASHER, TPS Screw (2)(Rr)(*9,11)	N.S.
32.	RETAINER, TPS (2)(Rr)(*9,11)	N.S.
33.	SCREW, TPS Lever Attach (Rr)	N.S.
34.	LEVER, TPS (Rr)	N.S.
35.	CONTROL ASM, Idle Air (IAC)(*12)	N.S.
36.	GASKET, IAC Asm (*4,12)	N.S.
37.	SCREW, Throttle Stop (*9)	N.S.
38.	SPRING, Throttle Stop Screw (*9)	N.S.
39.	SCREW, Throttle Synchronizing (Frt)(*2,3,4,6,8,9,23,24)	N.S.
40.	COLLER, Throttle Synch Screw (Frt)(Not Req)	N.S.
41.	COVER, Inlet Manifold (*6)	N.S.
42.	GASKET, Inlet Manifold Cover (*6)	N.S.
43.	TUBE, Throttle Bore (Swirl Plate)	N.S.

All service parts are common between the Front & Rear TBI units except those indicated Front (Frt) or Rear (Rr). Rear unit exploded view is typical illustration.

NOTE 1: Group 3.725 THROTTLE BODY INJECTION (Complete Service)

NOTE 2: Group 3.725 THROTTLE BODY INJECTION-Front

NOTE 3: Group 3.725 THROTTLE BODY INJECTION-Rear

NOTE 4: Group 3.724 GASKET KIT

NOTE 5: Group 3.774 FILTER KIT, Fuel Injector Nozzle

NOTE 6: Group 3.726 COVER KIT, Manifold Inlet

NOTE 7: Group 3.163 TUBE KIT, Fuel

NOTE 8: Group 3.724 SCREW KIT, Throttle Synchronizing

NOTE 9: Group 3.724 FASTENER ASSORTMENT KIT

NOTE 10: Group 3.724 FASTENER KIT, Manifold Cover Attaching

NOTE 11: Group 3.440 SENSOR KIT, Throttle Position

NOTE 12: Group 3.820 CONTROL KIT, Idle Air Valve

NOTE 13: Group 3.734 FUEL METER KIT

NOTE 14: Group 3.734 FUEL METER KIT

NOTE 15: Group 3.734 FUEL METER BODY KIT

NOTE 16: Group 3.734 FUEL METER BODY KIT

NOTE 17: Group 3.734 ACCUMULATOR KIT, Pressure Front

NOTE 18: Group 3.734 REGULATOR KIT, Pressure Rear

NOTE 19: Group 3.774 FUEL INJECTOR KIT

NOTE 20: Group 3.774 FUEL INJECTOR KIT

NOTE 21: Group 3.724 FUEL INLET & OUTLET KIT-Front

NOTE 22: Group 3.724 FUEL INLET & OUTLET KIT-Rear

NOTE 23: Group 3.729 BODY KIT, Throttle-Front

NOTE 24: Group 3.729 THROTTLE BODY, W/ROD ASM-Rear

Online URL:

<https://www.corvetteactioncenter.com/tech/knowledgebase/article/1982-corvette-exploded-views-of-1982-cross-fire-injection-unit-with-part->

[numbers-1221.html](#)