

## 2009 - 2013 Corvette: Service Bulletin: #PIT4683F: Additional Wheel Speed Sensor Diagnostics - (Jul 31, 2012)

### #PIT4683F: Additional Wheel Speed Sensor Diagnostics - (Jul 31, 2012)

<b>Subject:</b>	Additional Wheel Speed Sensor Diagnostics
<b>Models:</b>	2008 - 2013 Buick Enclave
	2007 - 2013 Cadillac Escalade, Escalade ESV, Escalade EXT 2009 Cadillac XLR
	2007 - 2013 Chevrolet Avalanche, Silverado, Suburban, Tahoe
	2008 - 2012 Chevrolet Express
	2010 - 2013 Chevrolet Camaro
	2009 - 2013 Chevrolet Corvette, Traverse
	2007 - 2013 GMC Acadia, Sierra, Yukon, Yukon XL, Yukon Denali, Yukon Denali XL
	2008 - 2013 GMC Savana
	2008 - 2009 Pontiac G8
	2007 - 2010 Saturn Outlook
	With any of the following DTCs: C0035 C0040 C0045 C0050 C0245

This PI was superseded to update model and model years. Please discard PIT4683E.

---

The following diagnosis might be helpful if the vehicle exhibits the symptom(s) described in this PI.

**Condition/Concern:**

When diagnosing a wheel speed sensor concern it may be found that the 12 volt Wheel Speed Sensor Supply Voltage circuit from the EBCM has no voltage. This may incorrectly lead to the replacement of the EBCM because there is no voltage to the WSS. When the EBCM has a fault with a WSS, it internally turns off the supply voltage to the WSS.

**Note:** The only part of this PI that applies to the Vans or HD pickups is Step 2 under the Recommendation.

**Recommendation/Instructions:**

Below are some additional diagnostic tips to help diagnose WSS concerns after the SI "Circuit Testing" has been performed:

**Note:** These tests should only be performed after the SI2000 "Circuit/System Testing" is complete; and prior to an EBCM replacement.

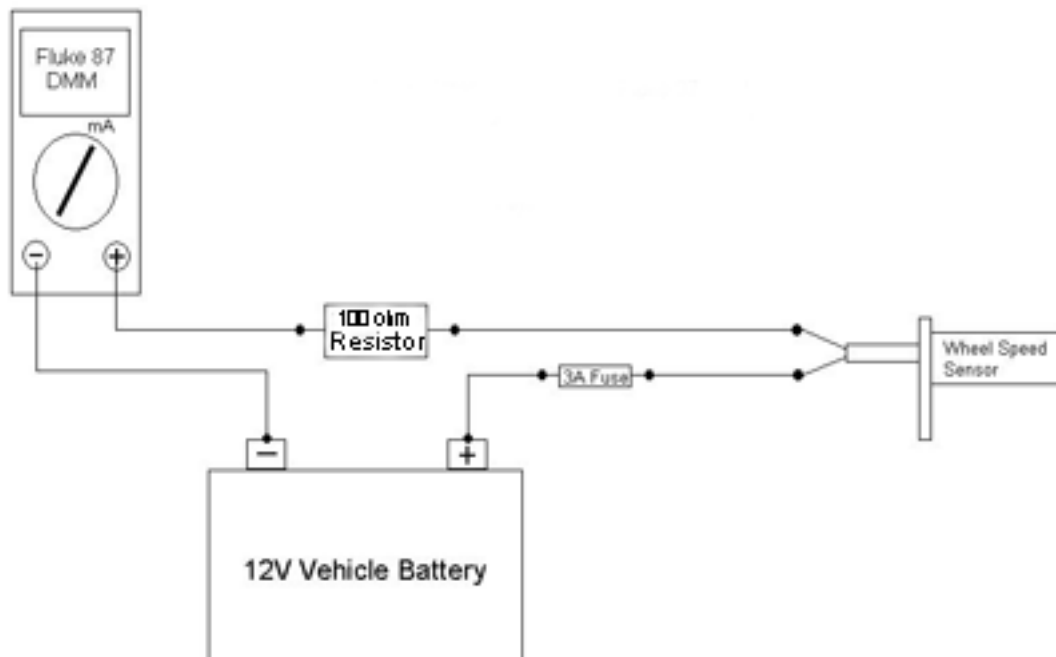
1. To test for the "12 volt Wheel Speed Sensor Supply Voltage"

from the EBCM with a WSS fault present, perform the following test (This step does not apply to the Vans or HD pickups).

- A. Disconnect the Tech 2 and Key Off Ignition, Remove Key, Open and Close the driver's door to turn off RAP (Retained Accessory Power) and wait at least 60 seconds.
  - B. Disconnect the appropriate WSS harness connector.
  - C. Using the appropriate test probes, connect a Fluke 87 DVOM (J39200) across the wheel speed sensor "Supply Voltage" and "Signal" circuits from the EBCM.
  - D. Set the DVOM on DC volts, press the "range" button to the 40 or 60 volt scale and then press the Min/Max button.
  - E. Turn the ignition key on. There will be a quick momentary 12 volt pulse from the EBCM at key up. This 12 volt pulse is sent each time the EBCM is powered up after being asleep to check the WSS circuit integrity.
  - F. If the 12 volt pulse is present continue with the WSS component testing. If the 12 volt pulse is NOT present recheck the circuits between the EBCM and WSS before replacing the EBCM. Make sure there are no backed out or loose terminals at the EBCM, WSS, or any inline connectors using the appropriate Terminal Test Probes.
- Component Testing of the Wheel Speed Sensor (Applies to All Models Listed)

**Note:** This procedure is very polarity sensitive and if the WSS is connected in reverse polarity while performing the below procedure the WSS can be permanently damage. Please make sure the B+ is connected to the WSS Supply Voltage and the ground (Fluke 87 DVOM) to the WSS Low Signal Return. Use the appropriate SI wiring diagrams to determine the WSS Supply Voltage and WSS Low Signal Return.

- A. Ignition OFF, disconnect the harness connector at the suspect wheel speed sensor.
- B. Connect a 3 amp fused jumper wire between Battery B+ and the "12 volt High Wheel Speed Sensor Supply Voltage" terminal.
- C. Connect a resistor of approximately 100 ohms in series with a Fluke 87 DVOM (J-39200) between the Battery Ground and the "Wheel Speed Sensor Low Signal Return" terminal.  
(Sources of a 100 ohm resistor: High Speed GM Lan terminating resistor, certain test lights, Radio Shack, etc.).  
Shown below is an example of how to properly connect your meter for testing.
- D. Set the DVOM to the DC Milliamp scale.
- E. The typical reading will be 4 to 8 mA for the "Low" reading and 11 to 16 mA for the "High" reading. As the wheel is turned very slow, a few degrees at a time, the signal will change from the low to the high reading as each tone ring tooth passes the WSS.
- F. If not within the specified range, replace the wheel speed



Please follow this diagnostic or repair process thoroughly and complete each step. If the condition exhibited is resolved without completing every step, the remaining steps do not need to be performed.

Online URL:

<https://www.corvetteactioncenter.com/tech/knowledgebase/article/2009-2013-corvette-service-bulletin-pit4683f-additional-wheel-speed-sensor-diagnostics-jul-31-2012-1333.html>