

# 2019 Corvette ZR1: Rear Spoiler Adjustment

## Corvette ZR1 Rear Spoiler Adjustment

May 30, 2019 - GM TechLink

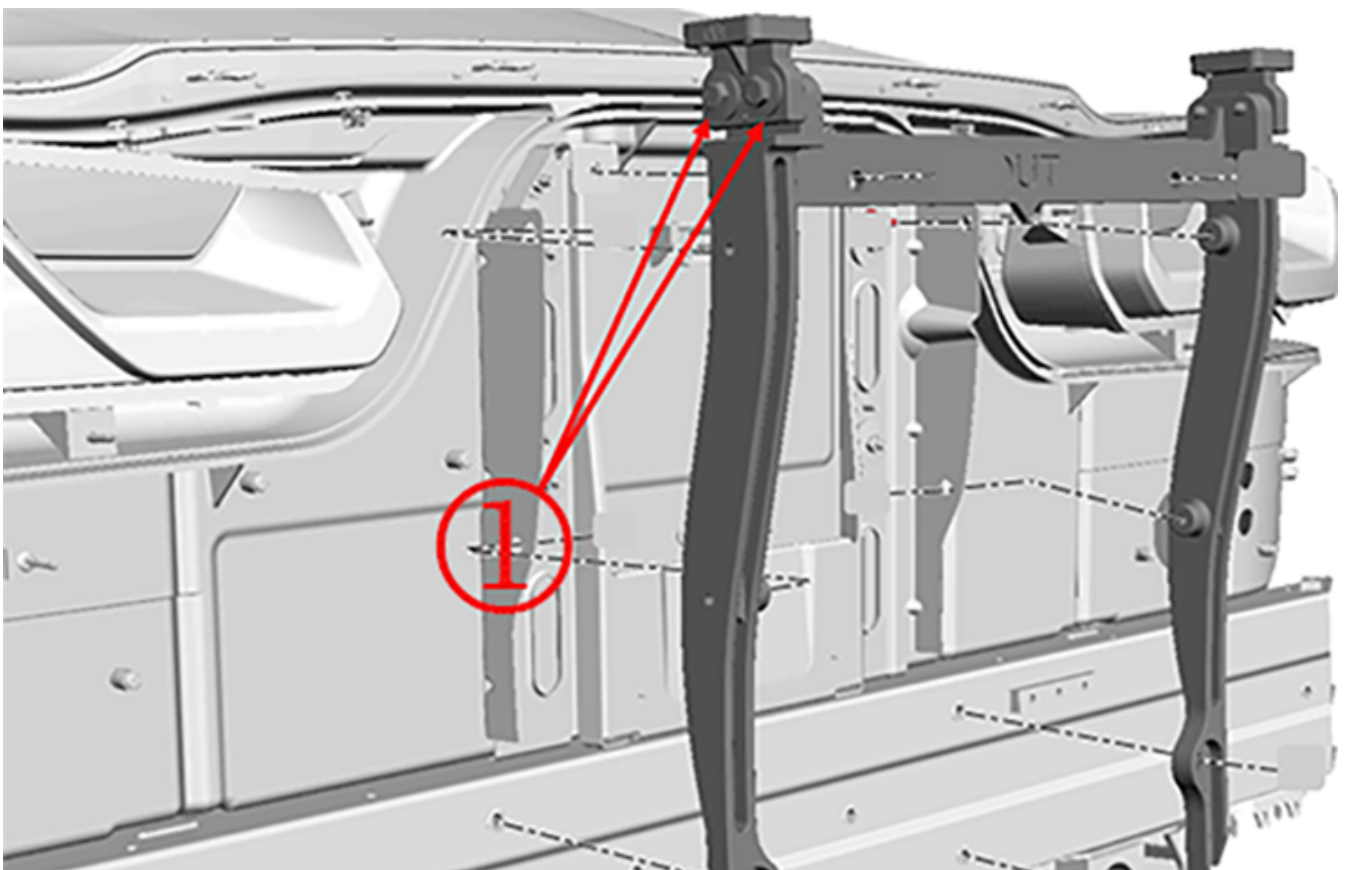
The rear spoiler of the 2019 Corvette ZR1 (Fig. 18) is installed at the dealership during the Pre-Delivery Inspection (PDI). After installation of the rear spoiler, it may be noticeable that the spoiler has a crooked appearance. If this condition is evident, the Rear End Secondary Spoiler Bracket may be out of adjustment.



**Fig. 18**

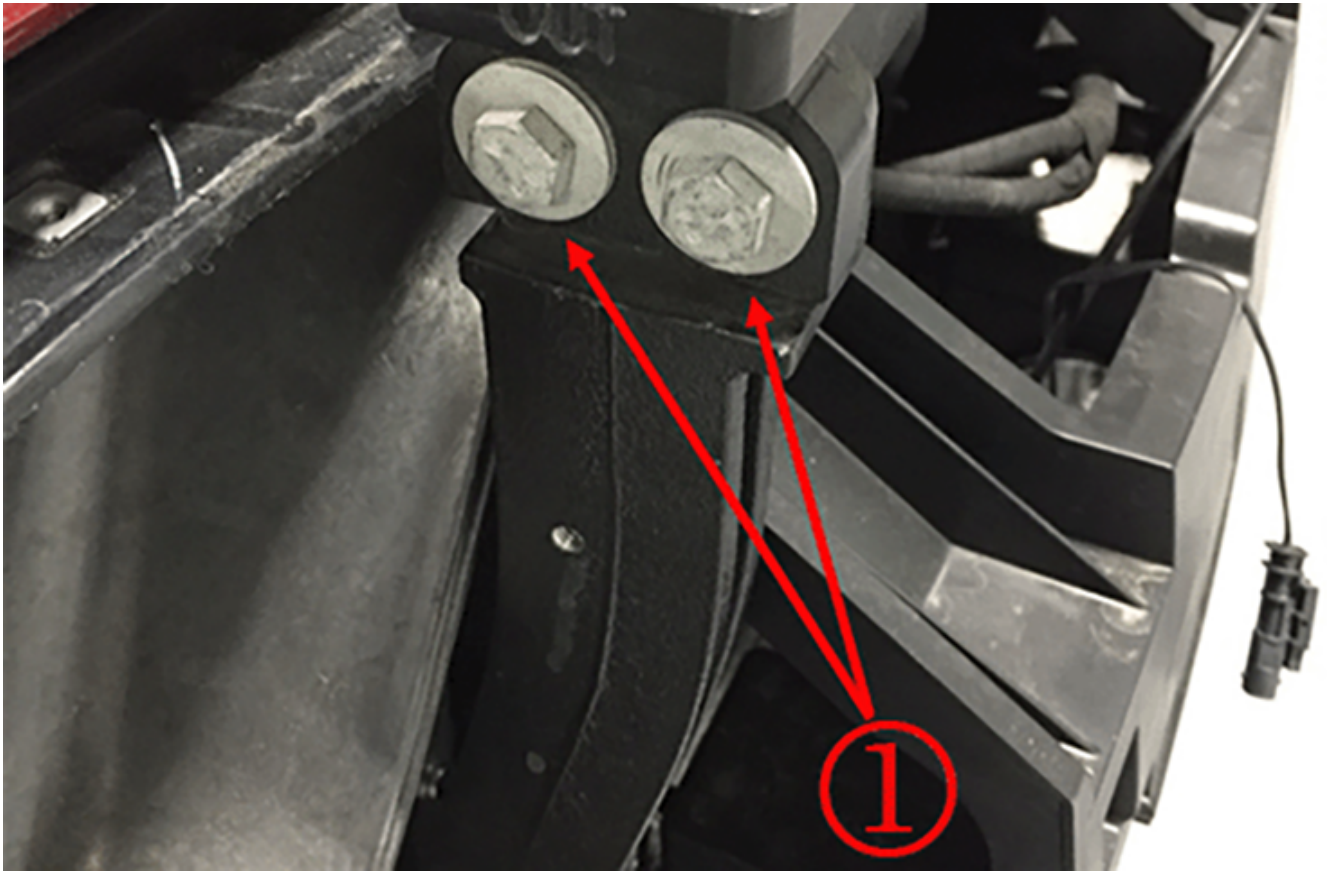
**TIP:** The rear spoiler (in both street and track configurations) is attached to the vehicle using unique fasteners. The vehicle is not shipped with the **special bit that is needed to attach the spoiler** to the vehicle. Obtain the appropriate bit to complete the installation. Refer to the Special Inspection Items box on the PDI form.

To correct the position of the rear spoiler, remove the rear fascia and adjust the Rear End Secondary Spoiler Bracket (Fig. 19) as needed until the spoiler is level.



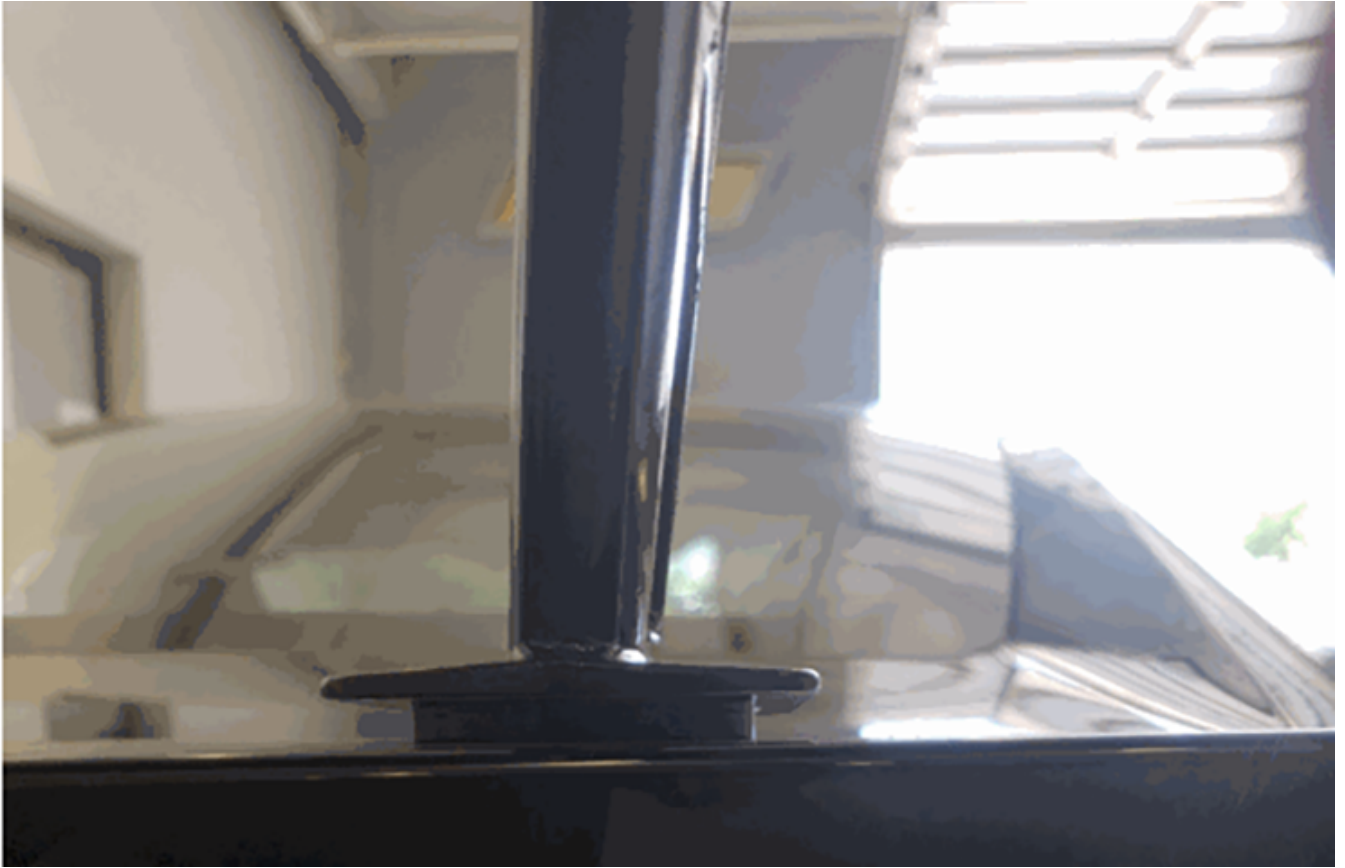
**Fig. 19**

The bolts that need to be loosened to perform the adjustment are located on the left side of the bracket. (Fig. 20)



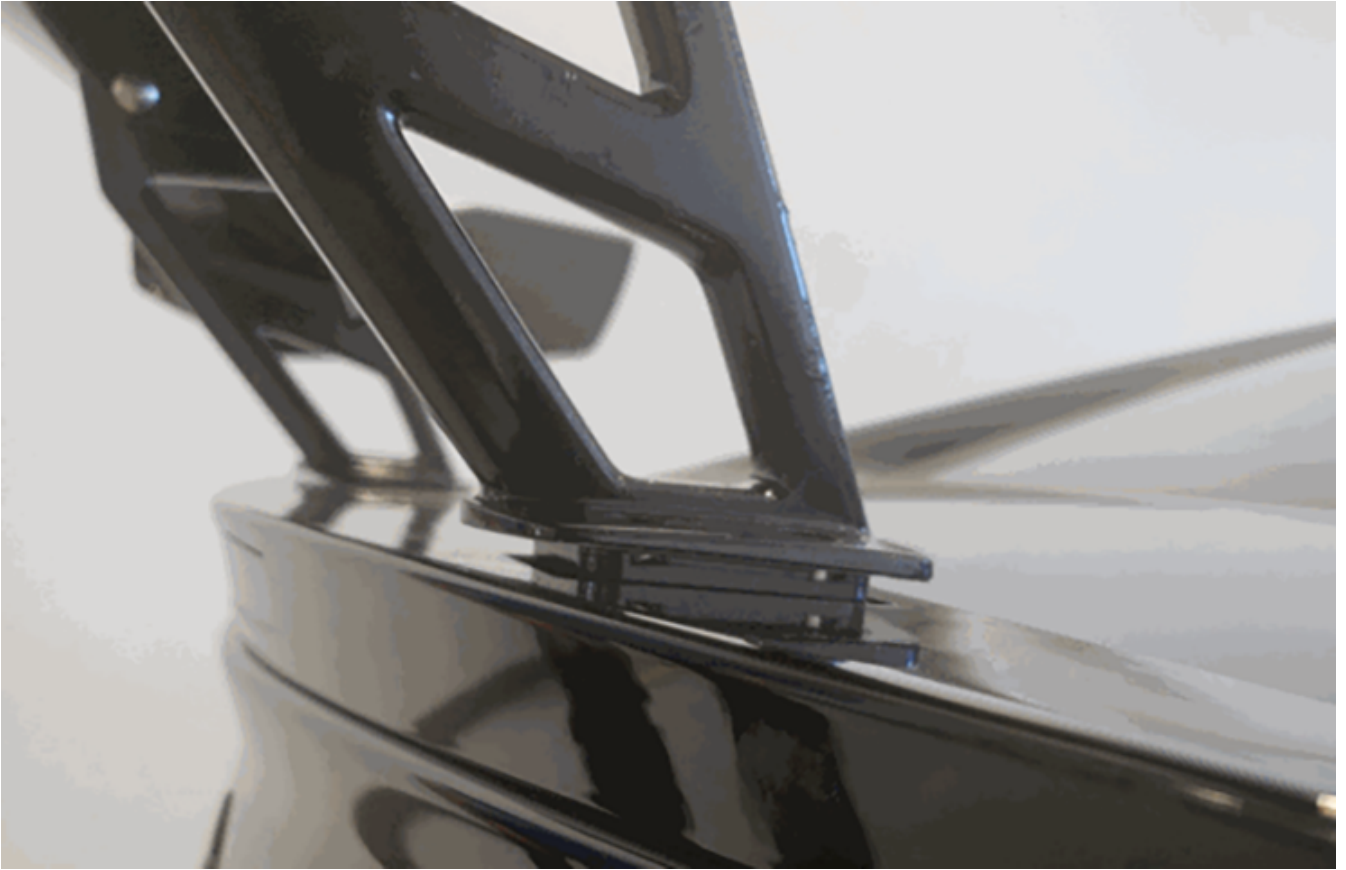
**Fig. 20**

Adjust the spoiler so that the spoiler mounting piers are even left to right and are a minimum of 3 mm above the rear fascia. (Fig. 21)



**Fig. 21**

If the mounting piers are not positioned with the minimum 3 mm gap, the fascia paint may be damaged by the spoiler stanchions. Shown is the correct amount of clearance between the stanchions and the rear fascia. (Fig. 22)



**Fig. 22**

*– Thanks to Jeff Strausser*

Online URL:

<https://www.corvetteactioncenter.com/tech/knowledgebase/article/2019-corvette-zr1-rear-spoiler-adjustment-1403.html>