

2000 Corvette: Service Bulletin: Tech - Left Headlamp Door Does Not Stay Closed

Number: 00-08-42-002

Subject: Tech - Left Headlamp Door Does Not Stay Closed

Model Year: 2000

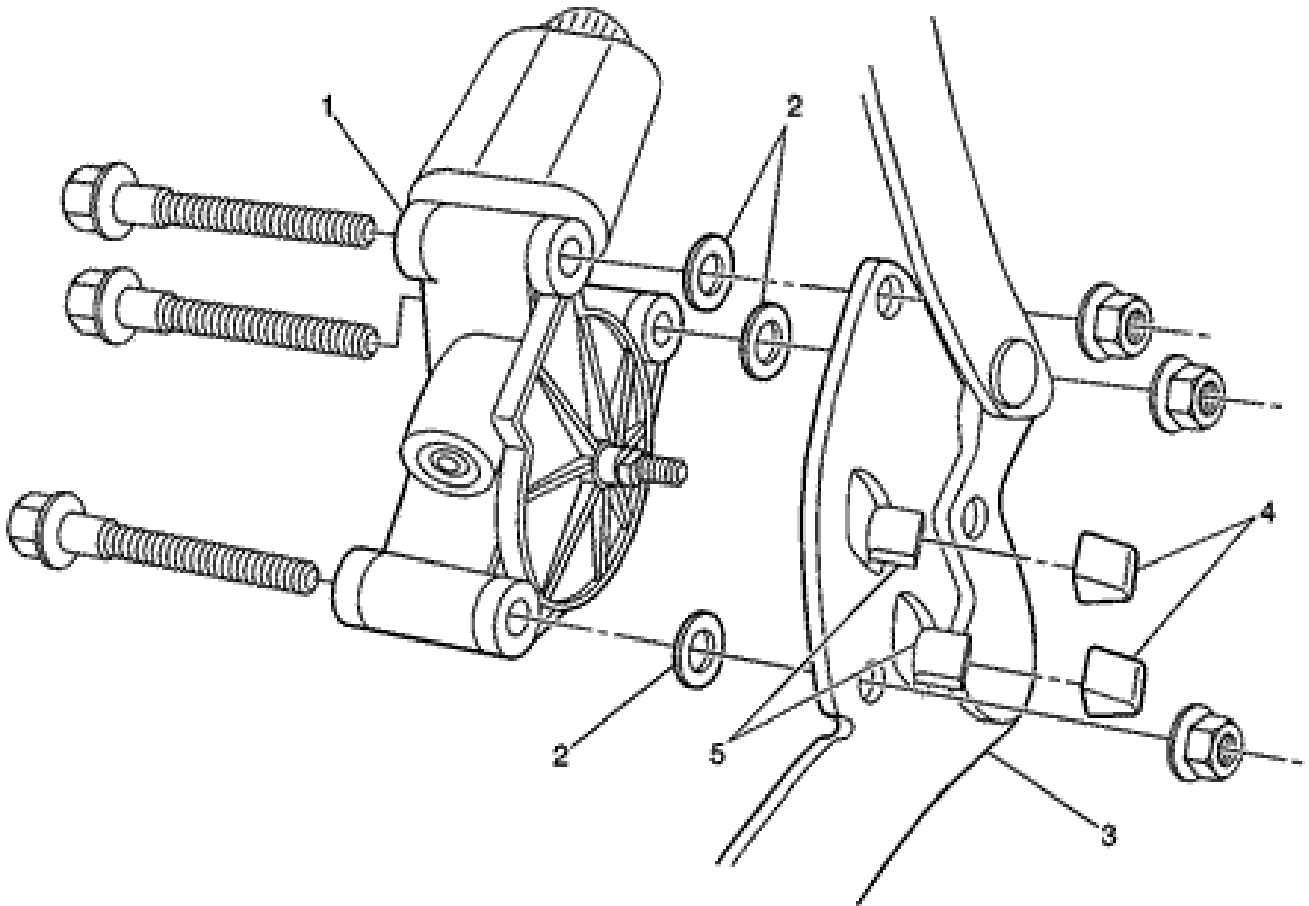
Condition

Some customers may comment that the left front headlamp door does not remain closed after the headlamps are turned off. Others may comment that the left headlamp door closes when the headlamps are turned off, but then reopens. In either case, the right headlamp door operates properly.

Correction

Important

The following information applies to the left front headlamp door motor/actuator only. It does not apply to and should not be performed on the right front headlamp door motor/actuator.



Install one washer (2) between the left headlamp door motor/actuator (1) and the mounting bracket (3) at each of the three attaching bolt locations. Also replace the insulator (4) on each of the two mounting bracket travel stop tabs (5) as shown. For information on headlamp motor/actuator removal, see the Headlamp Motor/Actuator Replacement procedure in the Lighting sub-section of Body & Accessories in the appropriate Service Manual.

Parts Information

Part Number	Description	Qty Per Vehicle
11505463	Washer	3
16524060	Insulator	2

Parts are expected to be available from GMSPO, 6/15/00.

Warranty Information

For vehicles repaired under warranty, use:

Labor Operation	Description	Labor Time
N3231	Actuator Assembly, Left Front Headlamp- Replace Note: Also Referred to as "Motor Assembly"	0.5 hr

GM bulletins are intended for use by professional technicians, NOT a "do-it-yourselfer". They are written to inform these technicians of conditions that may occur on some vehicles, or to provide information that could assist in the proper service of a vehicle. Properly trained technicians have the equipment, tools, safety instructions, and know-how to do a job properly and safely. If a condition is described, DO NOT assume that the bulletin applies to your vehicle, or that your vehicle will have that condition. See your GM dealer for information on whether your vehicle may benefit from the information.

© Copyright General Motors Corporation. All Rights Reserved

Online URL:

<https://www.corvetteactioncenter.com/tech/knowledgebase/article/2000-corvette-service-bulletin-tech-left-headlamp-door-does-not-stay-closed-408.html>