

# 1997 - 1998 Corvette: Service Bulletin: Waterleak Above Door Glass (Reseal Blowout Clip)

**Subject:** WATERLEAK ABOVE DOOR GLASS (RESEAL BLOWOUT CLIP)

**Source:** Chevrolet Dealer Technical Service Bulletin

**Number:** 83-15-08

**Models:** 1997-1998 Chevrolet Corvette Coupe and 1998 Chevrolet Corvette Convertible

**Condition:** SOME OWNERS MAY COMMENT ON A WATERLEAK ABOVE THE DOOR GLASS, AROUND THE BLOW-OUT CLIP.

**Correction:**

1. REMOVE THE WEATHERSTRIP.
2. REMOVE RUN CHANNEL.
3. REMOVE BLOW-OUT CLIP.
4. APPLY A SMALL BEAD OF BEDDING AND GLAZING COMPOUND TO THE SIDE RAIL OR COUPE (SEE FIGURE 1 (COUPE) OR FIGURE 2 (CONVERTIBLE)); THEN REINSTALL THE BLOW-OUT CLIP.
5. SET BLOW-OUT CLIP IN PLACE AND APPLY A SMALL BEAD OF BEDDING AND GLAZING COMPOUND OVER THE TOP OF THE BLOW-OUT CLIP (SEE FIGURE 1 (COUPE) OR FIGURE 2 (CONVERTIBLE)).

**IMPORTANT:**

PUSH OUTWARD ON THE RETAINER DURING  
INSTALLATION.

6. RESEAL THE FRONT AND REAR CORNERS ON THE COUPE  
AND THE FRONT CORNER OF THE CONVERTIBLE WITH  
WEATHERSTRIP ADHESIVE; 3M(R) P/N 08011, OR  
EQUIVALENT (SEE FIGURE 3).

7. REINSTALL WEATHERSTRIP.

**PARTS INFORMATION:**

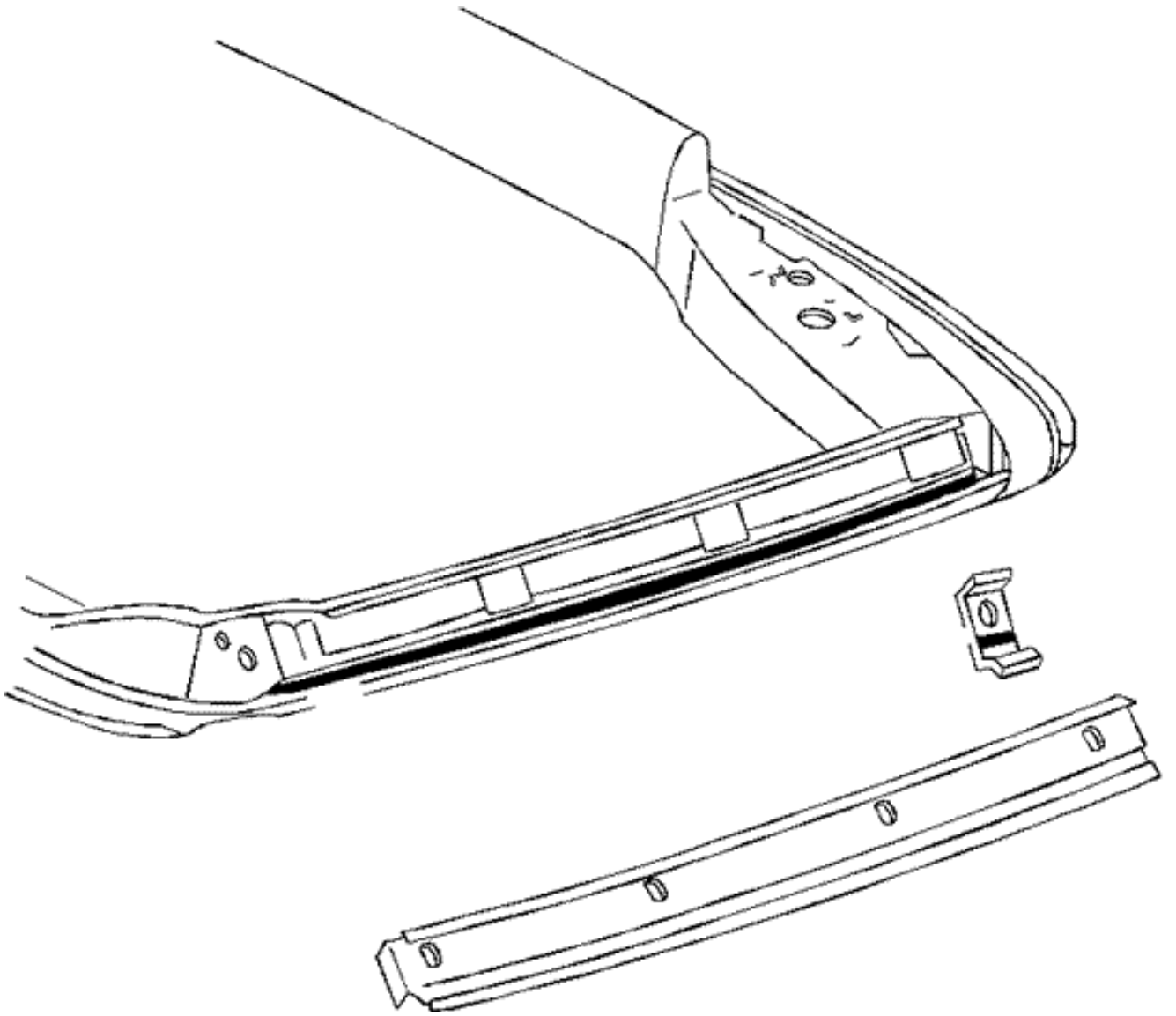
10252849 - COUPE/LH - RETAINER - FRONT WINDOW

10252850 - COUPE/RH - RETAINER - FRONT WINDOW

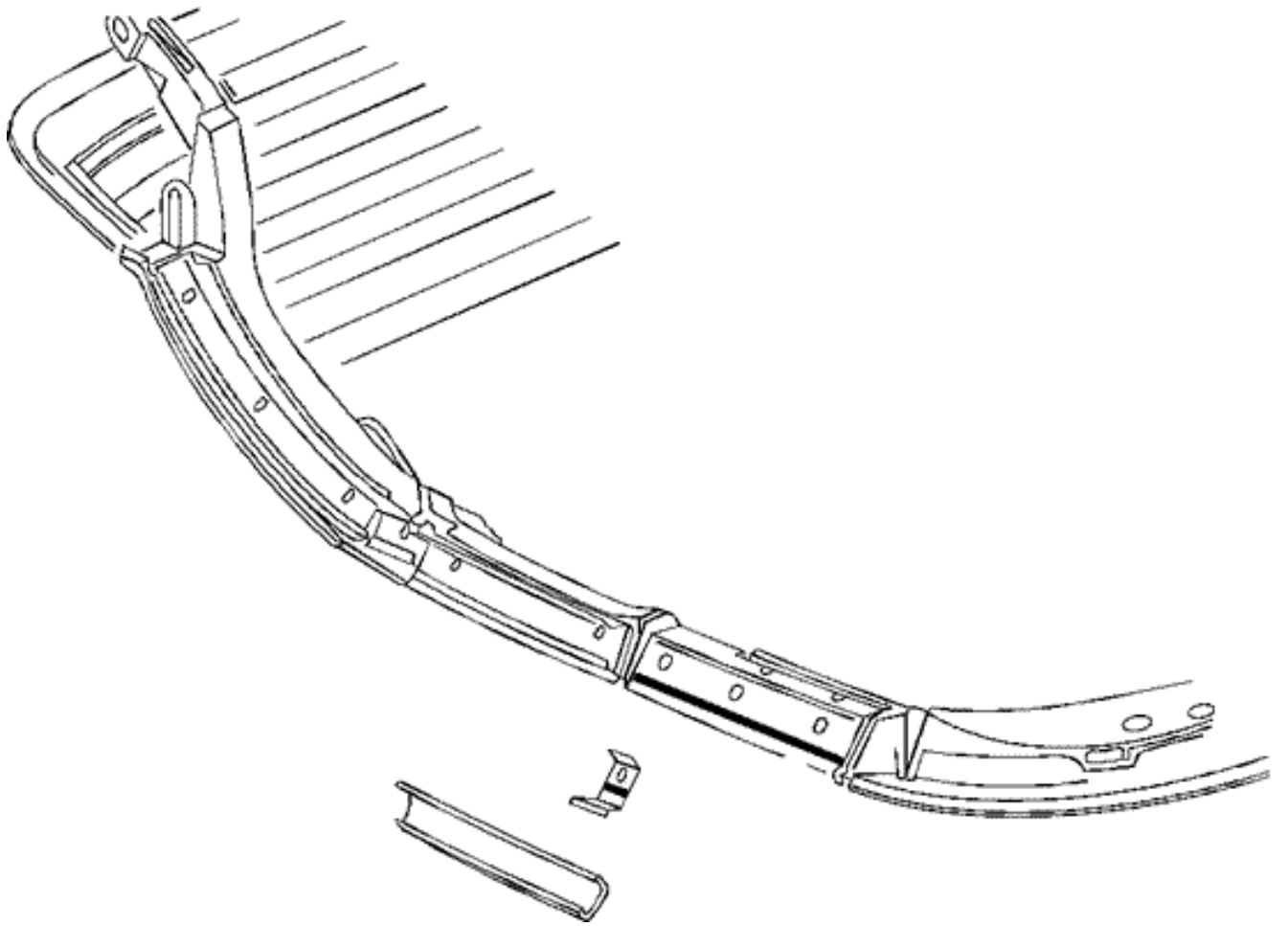
10252853 - CONVERTIBLE/LH - RETAINER - FRONT WINDOW

10252854 - CONVERTIBLE/RH - RETAINER - FRONT WINDOW

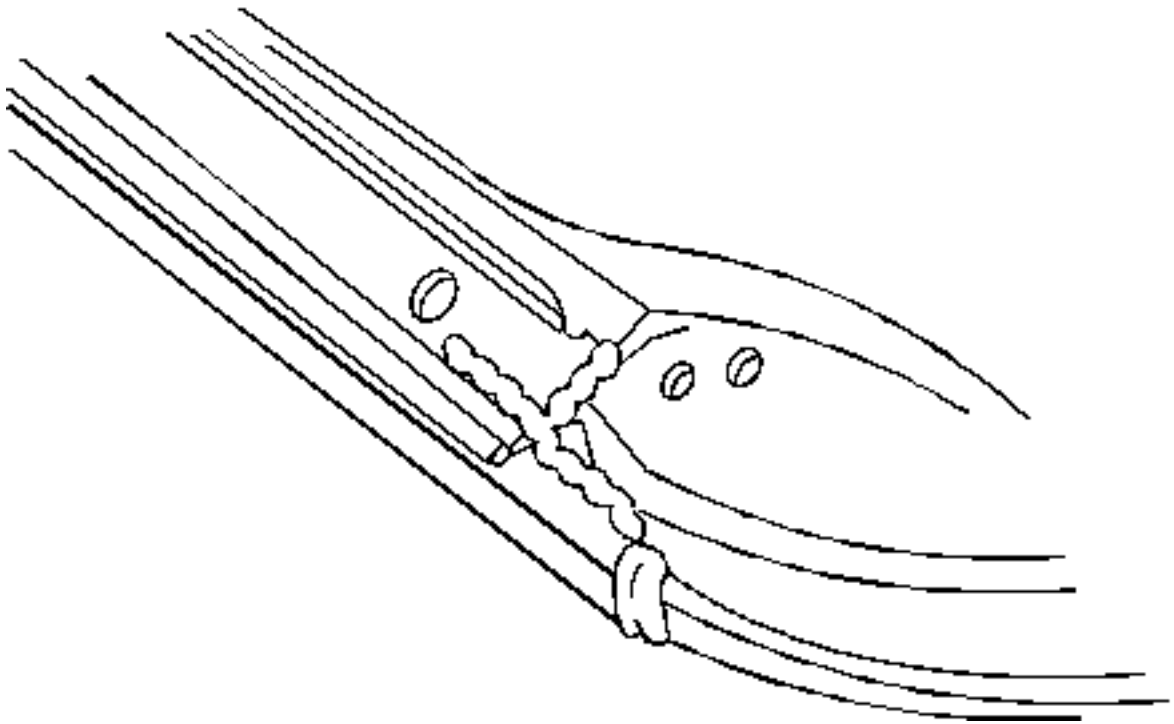
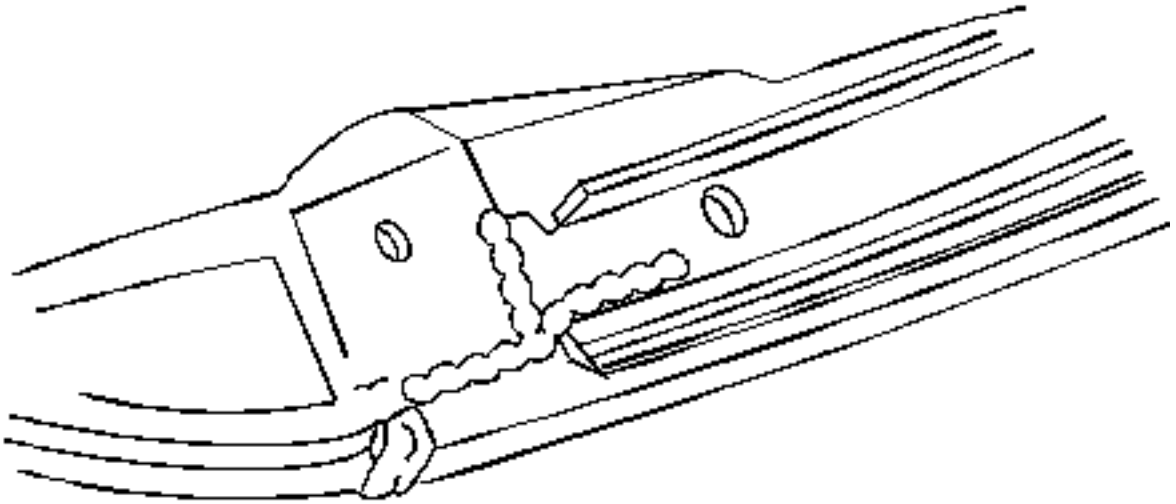
**Figure 1**



**Figure 2**



**Figure 3**



GM bulletins are intended for use by professional technicians, NOT a "do-it-yourselfer". They are written to inform these technicians of conditions that

may occur on some vehicles, or to provide information that could assist in the proper service of a vehicle. Properly trained technicians have the equipment, tools, safety instructions, and know-how to do a job properly and safely. If a condition is described, DO NOT assume that the bulletin applies to your vehicle, or that your vehicle will have that condition. See your GM dealer for information on whether your vehicle may benefit from the information.

**COPYRIGHT 1997 GENERAL MOTORS CORPORATION. ALL RIGHTS RESERVED**

Online URL:

<https://www.corvetteactioncenter.com/tech/knowledgebase/article/1997-1998-corvette-service-bulletin-waterleak-above-door-glass-reseal-blowout-clip-469.html>