

1984 - 1987 Corvette: Service Bulletin: Loose Corvette Door Trim Panel

Model Year: 1984-1987

Subject: Loose Corvette Door Trim Panel

Source: Chevrolet Dealer Service Bulletin

Bulletin Number: 87-116, Number 10

Date: April, 1987

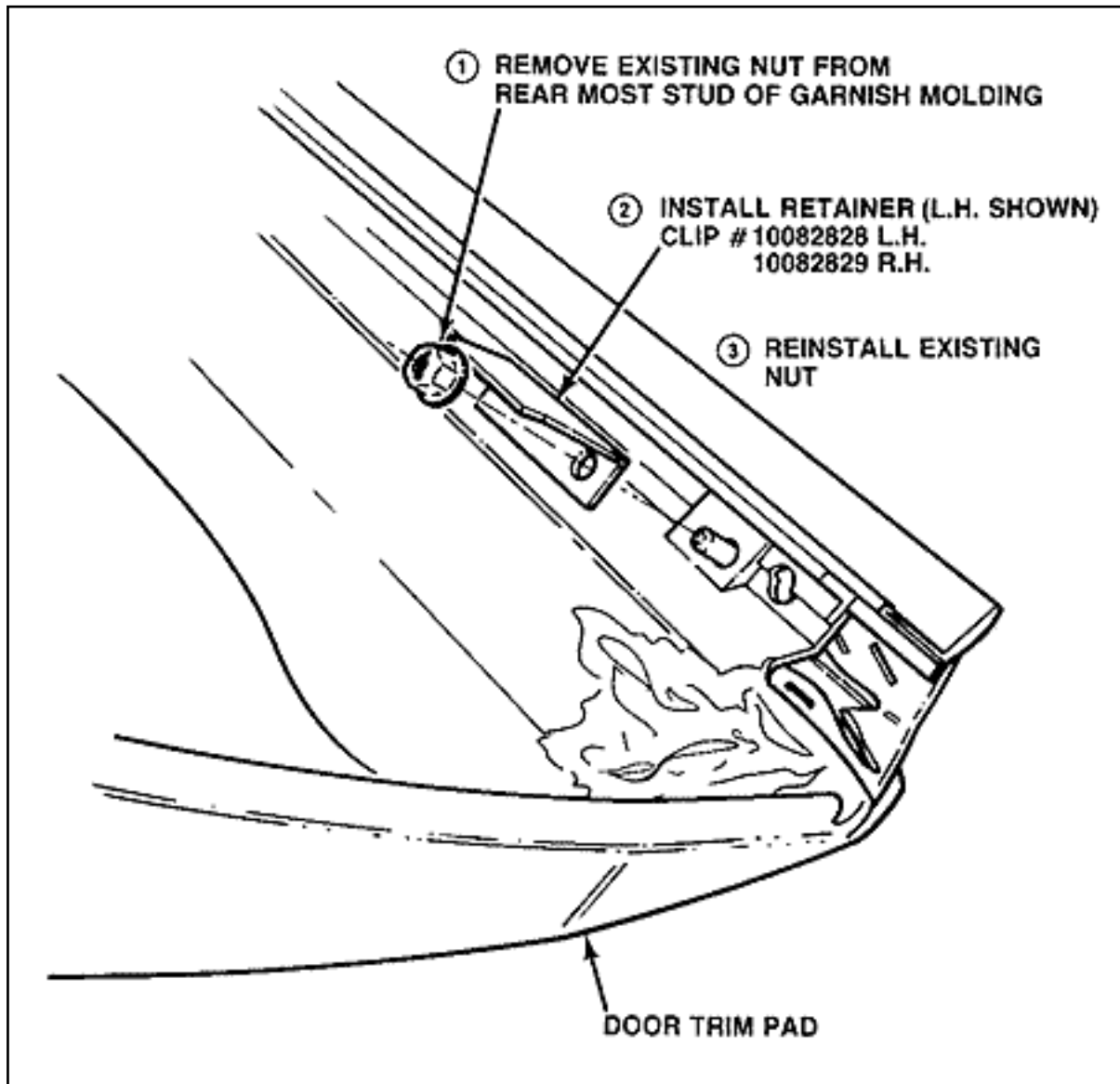
TO: ALL CHEVROLET DEALERS

Some 1984-87 Corvette door trim pads may be loose from the door inner panel at the rear upper edge of the door.

If this condition is found it may be repaired by adding a retainer to the door trim panel using the following procedure.

1. Remove door trim panel per instructions in the Corvette Shop Manual.
2. Install retainer, P/N 10082828-9, L.H./R.H. as illustrated, to the trim pads rear upper garnish molding stud using spin nut. (See Illustration)
3. To remove a trim panel with a retainer, push trim panel upward and outboard to disengage clip from door inner panel at beltline.

Use applicable Labor Operation Number and Labor Time.



General Motors bulletins are intended for use by professional technicians, not a "do-it-yourselfer". They are written to inform those technicians of conditions that may occur on some vehicles, or to provide information that could assist in the proper service of a vehicle. Properly trained technicians have the equipment, tools, safety instructions and know-how to do a job properly and safely. If a condition is described, do not assume that the bulletin applies to your vehicle, or that your vehicle will have that condition. See a General Motors dealer servicing your brand of General Motors vehicle for

information on whether your vehicle may benefit from the information.

© Copyright General Motors Corporation. All Rights Reserved

Online URL:

<https://www.corvetteactioncenter.com/tech/knowledgebase/article/1984-1987-corvette-service-bulletin-loose-corvette-door-trim-panel-510.html>