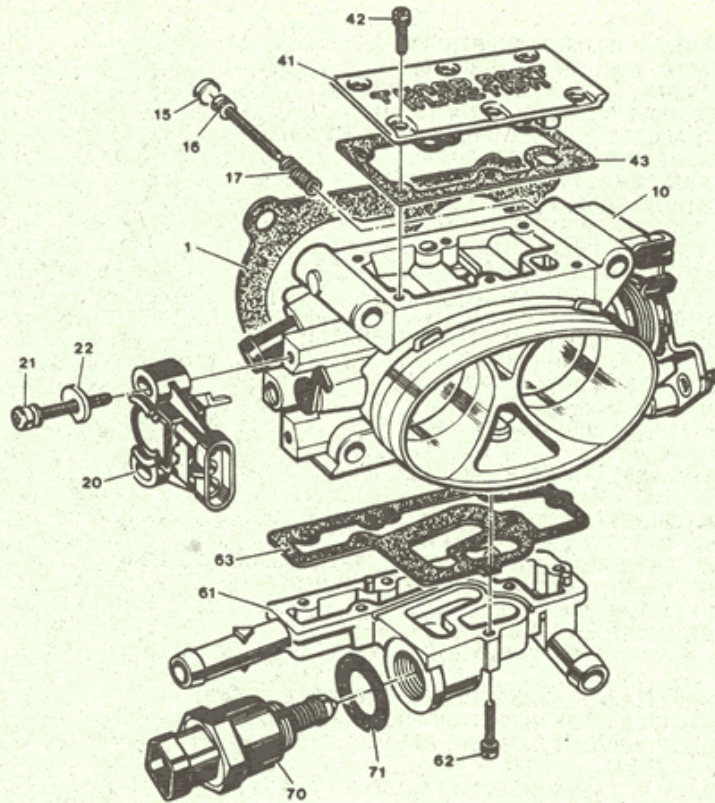


1985 - 1991 Corvette: L98 Engine Throttle Body Diagram





1985-1991 Y THROTTLE BODY/MPFI (MODELS T2A,B210) (L98/5.7-8)

1.	N.S. GASKET , FLANGE(*KIT1,KIT2,KIT3,KIT4)
10.	N.S. THROTTLE BODY ASM (*KIT1)
15.	N.S. PLUG , IDLE STOP SCREW(*KIT1)
16.	N.S. SCREW ASM , IDLE STOP(*KIT1)
17.	N.S. SPRING , IDLE STOP SCREW ASM(*KIT1)
20.	N.S. SENSOR , THROTTLE POSITION (TPS)(*KIT5)
21.	N.S. SCREW ASM , TPS ATCH(*KIT5,KIT7)
22.	N.S. RETAINER , TPS ATCH SCREW(*KIT5,KIT7)
41.	N.S. COVER , CLEAN AIR(*KIT3)
42.	N.S. SCREW ASM , CLEAN AIR COVER ATCH(*KIT7)
43.	N.S. GASKET , CLEAN AIR COVER(*KIT1,KIT2,KIT3,KIT4)
61.	N.S. IACV , COOLANT COVER ASM(*KIT4)
62.	N.S. SCREW ASM , IACV COVER ASM TO THROT BODY(*KIT7)
63.	N.S. GASKET , IACV COOLANT COVER TO THROT BODY(*KIT1,KIT2,KIT3,KIT4)
70.	N.S. VALVE ASM , IDLE AIR CONT (IAC)(*KIT6)
71.	N.S. GASKET , IAC VALVE ASM(*KIT1,KIT2,KIT3,KIT4,KIT6)

SERVICE KITS

KIT 1.	3.335	THROTTLE BODY KIT ,(1985-86)-INCL #1,10,15,16,17,43,63,71.	171100
	3.335	THROTTLE BODY KIT ,(1987-88)-INCL #1,10,15,16,17,43,63,71.	171100
	3.335	THROTTLE BODY KIT ,(1989)-INCL #1,10,15,16,17,43,63,71.	171100
	3.335	THROTTLE BODY KIT ,(1990-91)-INCL #1,10,15,16,17,43,63,71.	171100
2.	3.336	GASKET KIT ,(1985-88)-INCL #1,43,63,71.	171100
	3.336	GASKET KIT ,(1989-91)-INCL #1,43,63,71.	171100
3.	3.337	COVER KIT ,CLEAN AIR(1985-88)-INCL #1,41,43,63,71.	171100
	3.337	COVER KIT ,CLEAN AIR(1989-91)-INCL #1,41,43,63,71.	171100
4.	3.337	COVER KIT ,COOLANT IDLE AIR(1985-88)-INCL #1,43,61,63,71.	171100
	3.337	COVER KIT ,COOLANT IDLE AIR(1989-91)-INCL #1,43,61,63,71.	171100
5.	3.339	SENSOR KIT ,THROTTLE POSITION(1985-89)-INCL #20,21,22.	171100
	3.339	SENSOR KIT ,THROTTLE POSITION(1990-91)-INCL #20,21,22.	171100
6.	3.338	VALVE KIT ,IDLE AIR CONTROL(1985-88)-INCL #70,71.	171100
	3.338	VALVE KIT ,IDLE AIR CONTROL(1989-91)-INCL #70,71.	171100
7.	3.336	FASTENER ASSORTMENT KIT ,(1985-89)-INCL #21,22,42,62.	171100
	3.336	FASTENER ASSORTMENT KIT ,(1990-91)-INCL #21,22,42,62.	171100

Online URL:

<https://www.corvetteactioncenter.com/tech/knowledgebase/article/1985-1991-corvette-198-engine-throttle-body-diagram-542.html>