

1989 - 1990 Corvette: Service Bulletin: Wiper Motor Starts in High Speed Only

Subject: WIPER MOTOR STARTS IN HIGH SPEED ONLY

Model and Year: 1989-90 CELEBRITY CAMARO, CORSICA, BERETTA, LUMINA AND CORVETTE

Source: Chevrolet Dealer Service Bulletin

Bulletin Number: 90-420-8E

THIS BULLETIN CANCELS AND SUPERSEDES DEALER SERVICE BULLETIN NO. 90-416-8E, DATED APRIL 1991. WARRANTY INFORMATION HAS BEEN ADDED. ALL COPIES OF 90-416-8E SHOULD BE DISCARDED.

CONDITION:

Some vehicles may exhibit a condition of the wiper motor starting in the high speed only.

CAUSE:

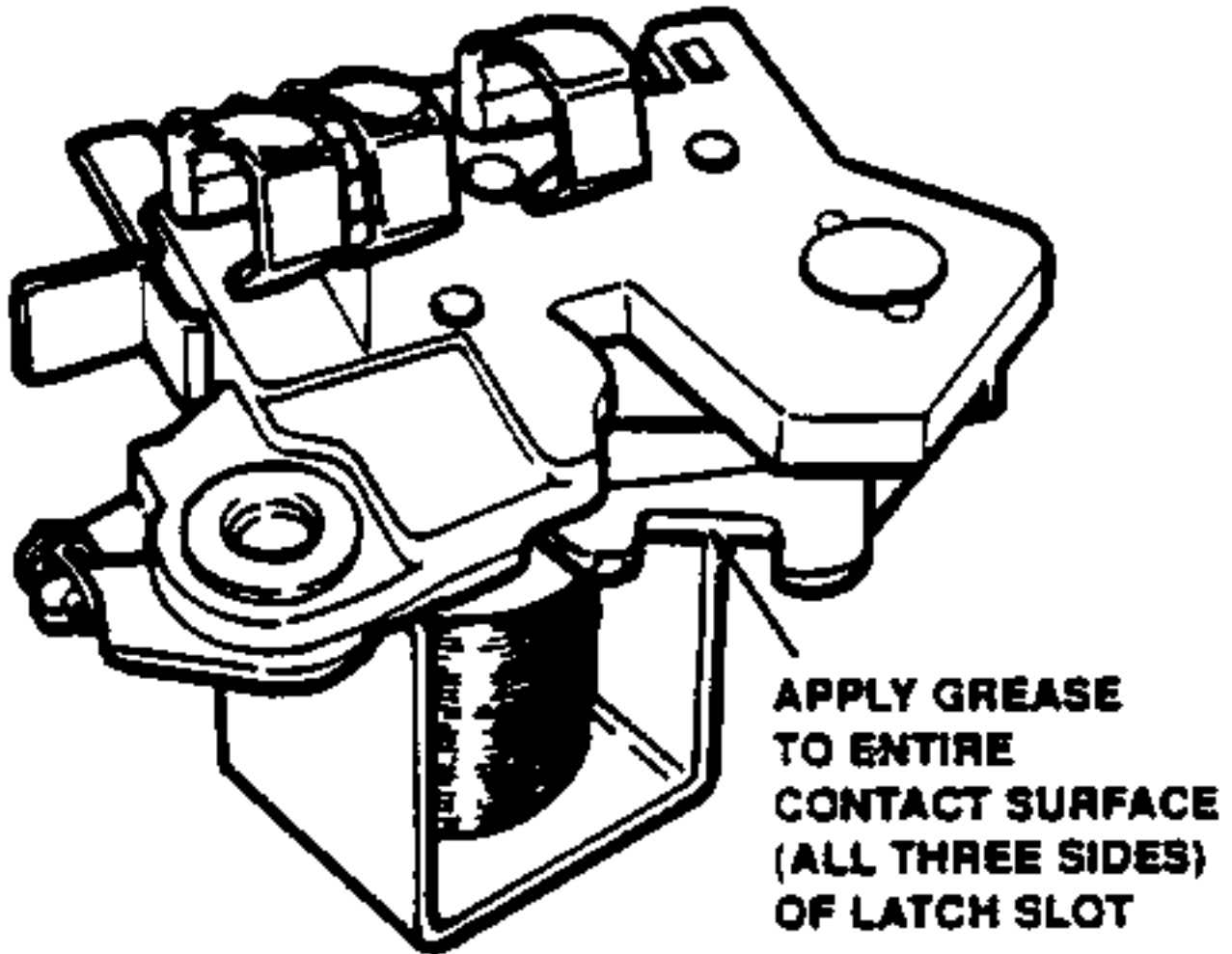
Burrs on the internal motor park latch prevent the necessary movement of the latch for a normal low speed start.

CORRECTION:

Install Service Package #22063283 Park Switch Assembly in the wiper motor as per the service manual. Apply grease to the latch slot per instructions given in Figure 1.

For warranty purposes, use N2620 at .7 hours.

Parts are currently available from GMSP0.



General Motors bulletins are intended for use by professional technicians, not a "do-it-yourselfer". They are written to inform those technicians of conditions that may occur on some vehicles, or to provide information that could assist in the proper service of a vehicle. Properly trained technicians have the equipment, tools, safety instructions and know-how to do a job properly and safely. If a condition is described, do not assume that the bulletin applies to your vehicle, or that your vehicle will have that condition. See a General Motors dealer servicing your brand of General Motors vehicle for information on whether your vehicle may benefit from the information.

© Copyright General Motors Corporation. All Rights Reserved

Online URL:

<https://www.corvetteactioncenter.com/tech/knowledgebase/article/1989-1990-corvette-service-bulletin-wiper-motor-starts-in-high-speed-only-572.html>