

1988 Corvette: Service Bulletin: Service Manual Update Front Leaf Spring Compressor Adapter

Model Year: 1988 Corvette

Subject: Service Manual Update Front Leaf Spring Compressor Adapter

Source: Chevrolet Dealer Service Update Bulletin

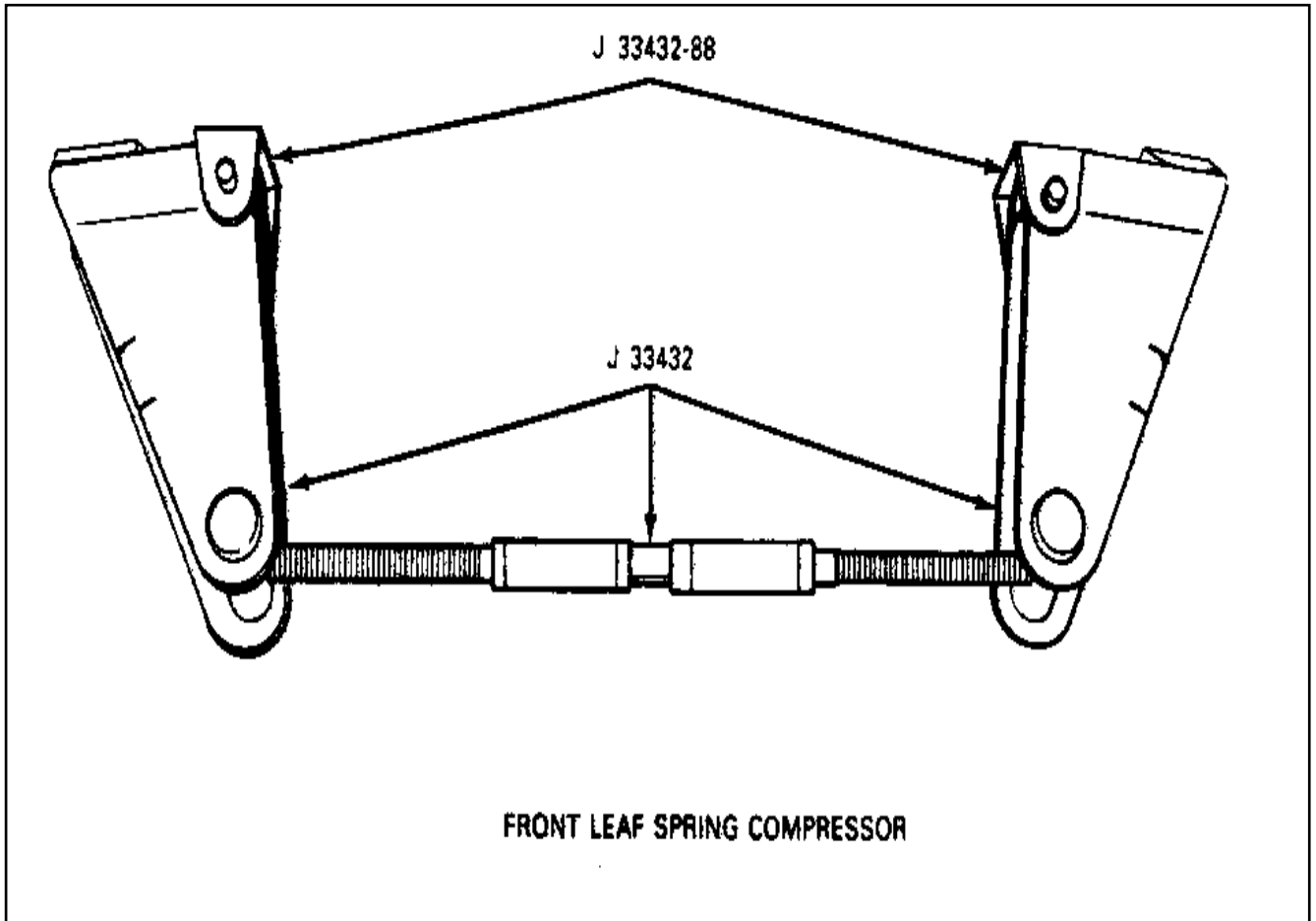
Bulletin Number: 88-272-3C, Number 3C

Date: Aug, 1988

TO: ALL CHEVROLET DEALERS

A new front leaf spring compressor adapter, J33432-88, has been developed and will be available approximately 9/15/88 from Kent-Moore, for use on all 1988 Corvettes. This adapter can be used with existing front leaf spring compressor, J33432. The new adapter was released due to the wider front transverse spring on the 1988 Corvette.

These new adapters may be used on all Corvette front transverse springs from 1984 - 1988.



General Motors bulletins are intended for use by professional technicians, not a "do-it-yourselfer". They are written to inform those technicians of conditions that may occur on some vehicles, or to provide information that could assist in the proper service of a vehicle. Properly trained technicians have the equipment, tools, safety instructions and know-how to do a job properly and safely. If a condition is described, do not assume that the bulletin applies to your vehicle, or that your vehicle will have that condition. See a General Motors dealer servicing your brand of General Motors vehicle for information on whether your vehicle may benefit from the information.

Online URL:

<https://www.corvetteactioncenter.com/tech/knowledgebase/article/1988-corve>

[tte-service-bulletin-service-manual-update-front-leaf-spring-compressor-adapter-623.html](#)